

MC200 PLC PLC

MC200 PLC

MC200

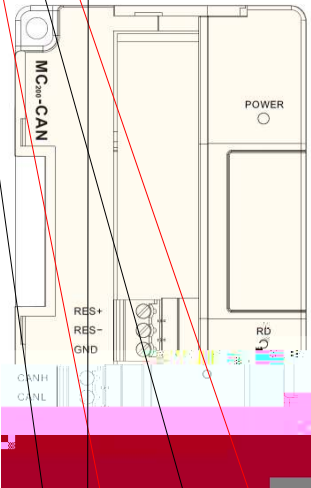
MC200- CAN

1.1

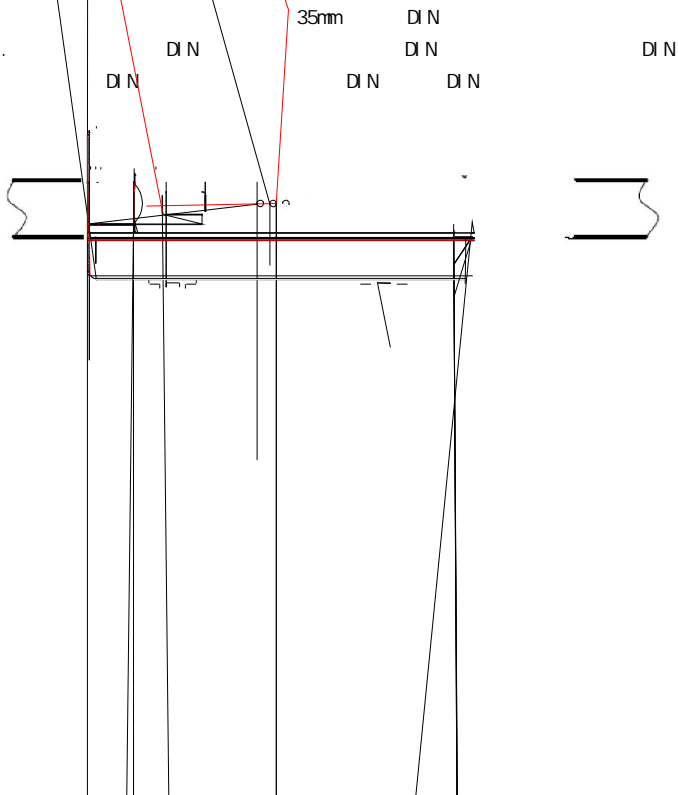
2012-9-21

X-Bui I der

MC200
MC100/MC200 0



2.



3.2

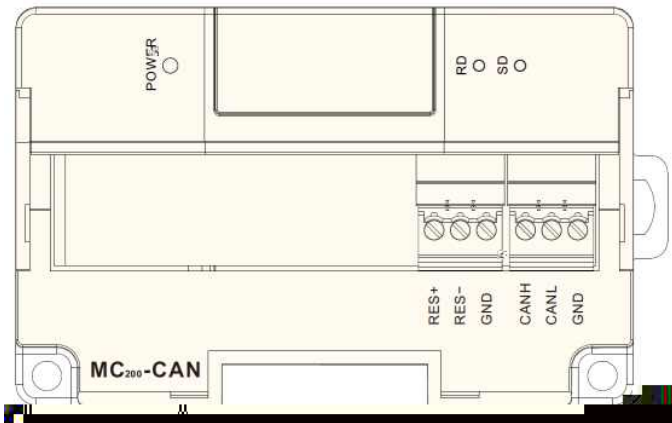
3-1

		3pin PCB
		CAN
CAN		50K 100K 125K 250K
		CAN2 OA CAN2 OB

4.

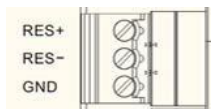
MC200-CAN

4-1



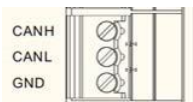
120

RES+ RES-



CAN

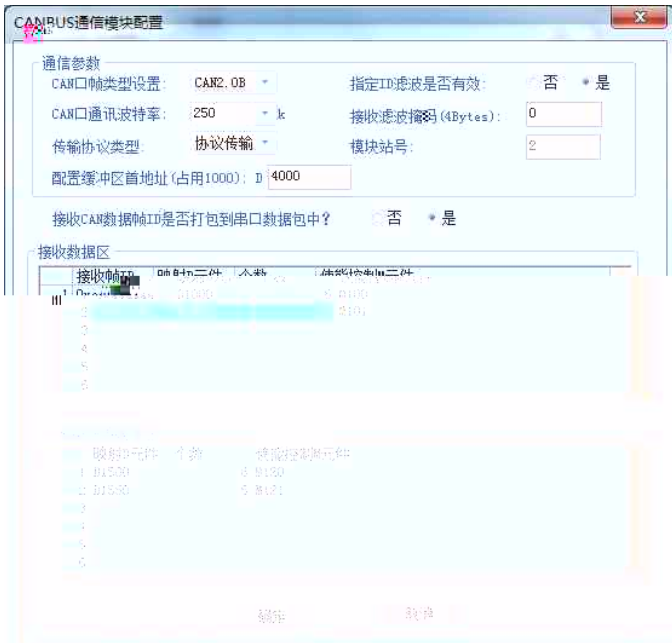
CAN



		MC200-CAN
		MC200-CAN

6-1(a):

6-1(b)



6-1(b): MODLINK

I D		MC200-CAN	CAN			
I D	CAN			CAN	I D	
		I D	CAN			
	PLC	MC200-CAN			PLC	
		PLC	MODBUS			
	CAN		D			
		1000		D4000		
D4000-D4999		" "		D		
CAN	I D			CAN		
CAN	I D	I D				
	I D	I D		CAN	I D	
D		CAN		D		
		CAN	+4 I D	/2		2
		8	CAN	I D		6
D		D	I D	8		4
D		I D		4	8	
	4	D				
				1		0
D		CAN		D		CAN
I D		D		D		
	CAN		+4 I D	/2		
				1		0
		PLC		MC200-CAN		
PLC COM2		CAN				
CAN		2&0K010101	CAN	I D	0xAAAAAA	0xBBBBBB x

SHENZHEN NEGMEET ELECTRICAL TECHNOLOGY CO., LTD.

B 5

0755-86600500

(+86) 0755-86600999

518057

www.negmeet.com